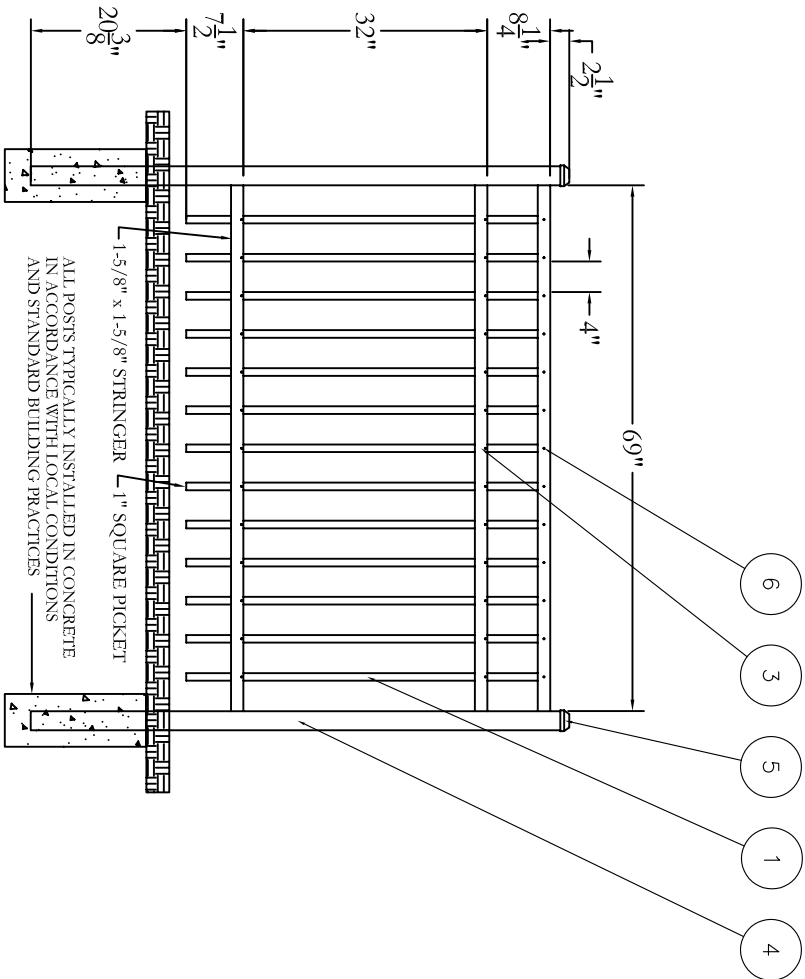
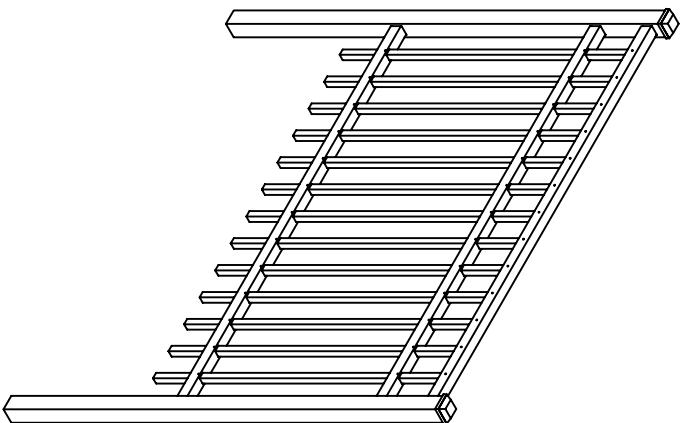


FENCE PARTS		Qty	Item
Name		13	1
202-48 PICKET		2	2
70-1/2" - 13 HOLE IND. STRINGER		2	3
2-1/2" POST		2	4
2-1/2" ALUMINUM POST CAP		2	5
70-1/2" - 13 HOLE IND. HEADER		1	6



1-5/8" x 1-5/8" STRINGER
 1" SQUARE PICKET
 ALL POSTS TYPICALLY INSTALLED IN CONCRETE
 IN ACCORDANCE WITH LOCAL CONDITIONS
 AND STANDARD BUILDING PRACTICES



DATE	BY	DESCRIPTION	REVISION	DATE	BY	APPROVED
NC	NC	INITIAL RELEASE				

South
 Manufacturing Co., Inc.
 Philadelphia, PA 19154
 (800) 344-2242

DRAWING:
 INDUSTRIAL FENCE
 STYLE #202 - 48" HEIGHT

SIZE	DWG NO.	REV
D	IN48U202SN	NC
SCALE	DATE	SHEET
	1-1-04	1 OF 1

© 2005. This drawing may not be altered or reproduced without the permission of Jerth Manufacturing Co., Inc.